

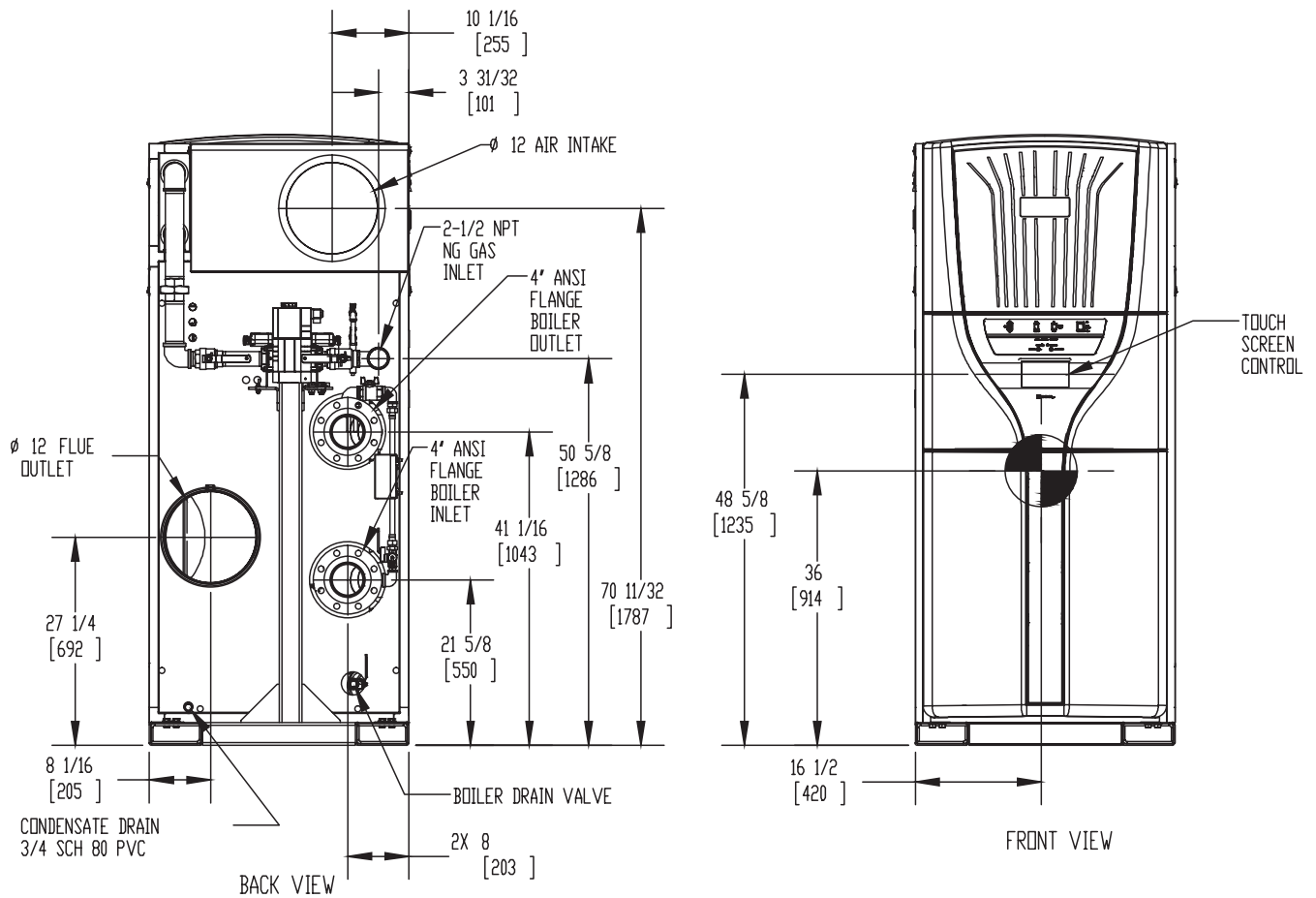
FlexCore 6000

Category II or Category IV Appliance

(see Installation and Operation Manual for venting information)

CODE OPTIONS

CSD-1	STANDARD
-------	----------



Notes:

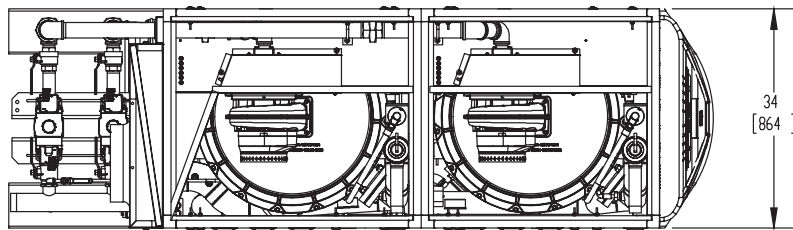
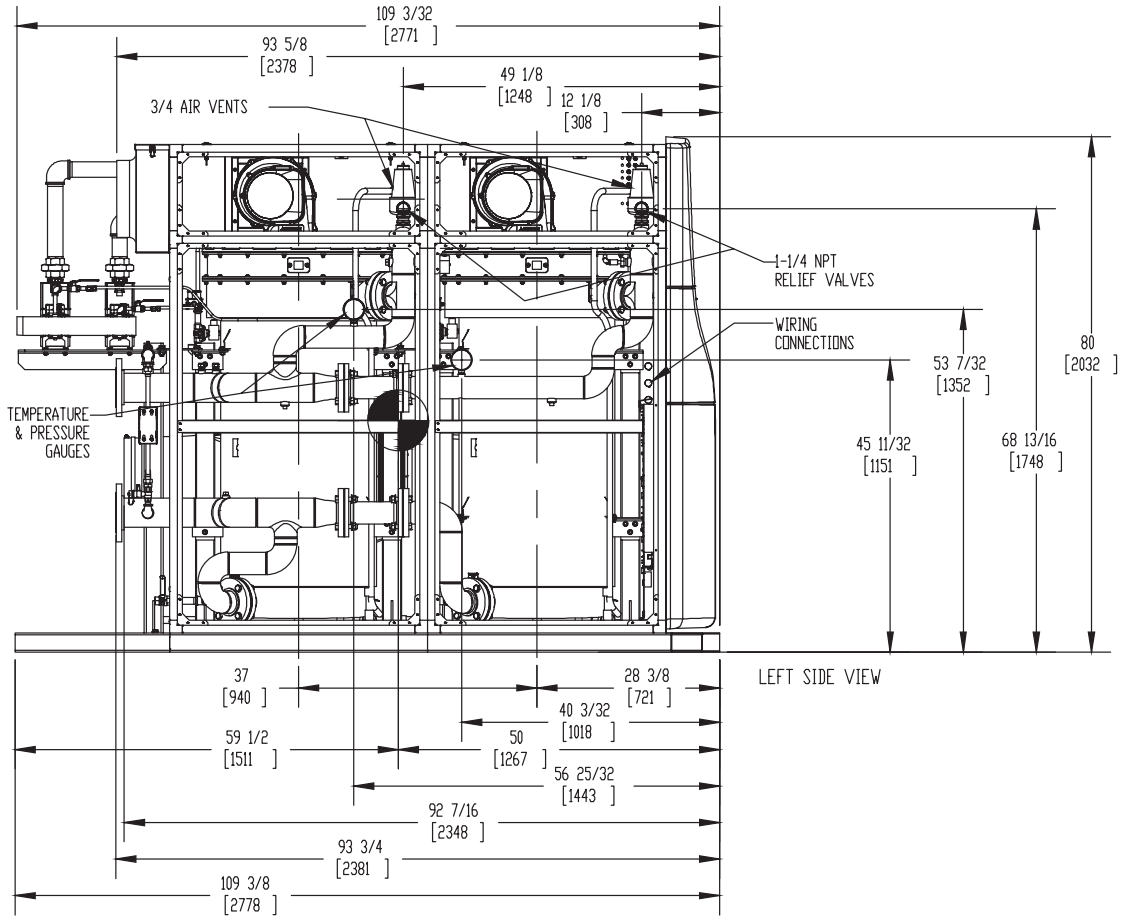
1. Dimensions are approximate and should not be used to "rough-in" equipment.
2. Dimensions are subject to change without notice.
3. All dimensions are in inches (mm).
4. ● Symbol indicates center of gravity.

FlexCore 6000

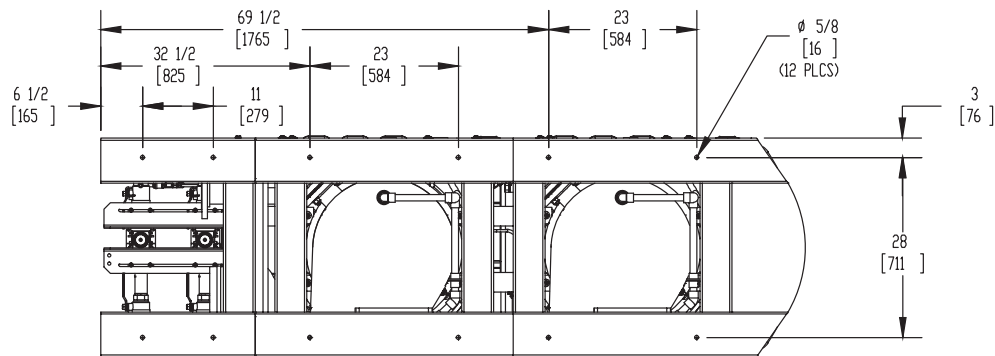
Category II or Category IV Appliance
(see Installation and Operation Manual for venting information)

CODE OPTIONS

CSD-1	STANDARD
-------	----------




TOP VIEW



BOTTOM VIEW

Notes:

1. Dimensions are approximate and should not be used to "rough-in" equipment.
2. Dimensions are subject to change without notice.
3. All dimensions are in inches (mm).
4.  Symbol indicates center of gravity.

BOILER CERTIFIED RATINGS & CAPACITIES

Fuel Type	Natural Gas	Boiler FLA	20.6*
Input BTU/hr.	6,000,000 / 1758 KW	Boiler HP	173.5
Output BTU/hr.	5,808,000 / 1702 KW	Min. Gas Pressure Required	3" W.C.
Electrical Requirements	230 VAC/60 Hz/3PH	Max. Gas Pressure Allowed	14" W.C.
		Operating Weight	4885 lbs / 2216 kg

BOILER TRIM & CONTROLS

Main Gas Valve	Dungs MBC	Air Switch	Huba
Firing Valve	1 1/2" Apollo	Flow Sensor	SIKA
Ignition Control	Honeywell RM7895C	Blocked Flue Switch	Cleveland NS2
Operating Control	HeatNet®	Blower Motor	Ametek
High Limit	Jumo	L.W.C.O.	800
Main Ball Valve	1 1/2" Apollo	Relief Valve (2)	1-1/4" x 1-1/2" set @ 50 psi
Pilot Cock	1/4"	Pilot Regulator	White-Rodgers

A.S.M.E.

ASME Sect IV Fire Side Htg Surface	470 Sq. Ft. / 43.6 Sq. M.	Design Data	Max. 160 psig & 210°F
ASME Sect IV Water Side Htg Surface	488 Sq. Ft. / 45.2 Sq. M.	Water Volume	112 gal. / 424 Liters
CV. GPM (1PSID)	178		

* Add circulator amps.

BOILER TEMPERATURE RISE / PRESSURE DROP (Based on Full Input)

20°F / 11.1°C		40°F / 22.2°C				60°F / 33.3°C				80°F / 44.4°C				100°F / 55.5°C					
Flow Rate		Pressure Drop		Flow Rate		Pressure Drop		Flow Rate		Pressure Drop		Flow Rate		Pressure Drop		Flow Rate		Pressure Drop	
GPM	L/s	Ft	kPa	GPM	L/s	Ft	kPa	GPM	L/s	Ft	kPa	GPM	L/s	Ft	kPa	GPM	L/s	Ft	kPa
581.0	36.7	24.6	73.5	290.5	18.3	6.1	18.4	193.7	12.2	2.7	8.2	145.3	9.2	1.5	4.6	116.2	7.3	1.0	2.9

Flow GPM		Temp. Rise** (°F)		Vent Length (Equiv. Ft.)		Air Inlet Length (Equiv. Ft.)	
Min	Max	Min	Max	Min	Max	Min	Max
116.2	581.0	20	100	6	100	0	100

** Min/Max delta t reflects boiler operation at full input. For applications requiring operation above/below these parameters please consult factory.

REP FIRM	_____
SUBMITTED BY	_____
JOB NAME	_____
ARCHITECT	_____
ENGINEER	_____
CONTRACTOR	_____
DATE	_____

FlexCore 6000

Category II or Category IV Appliance
(see Installation and Operation Manual for venting information)



A Division of Mestek, Inc.
Westfield, MA 01085
(413) 564-5515